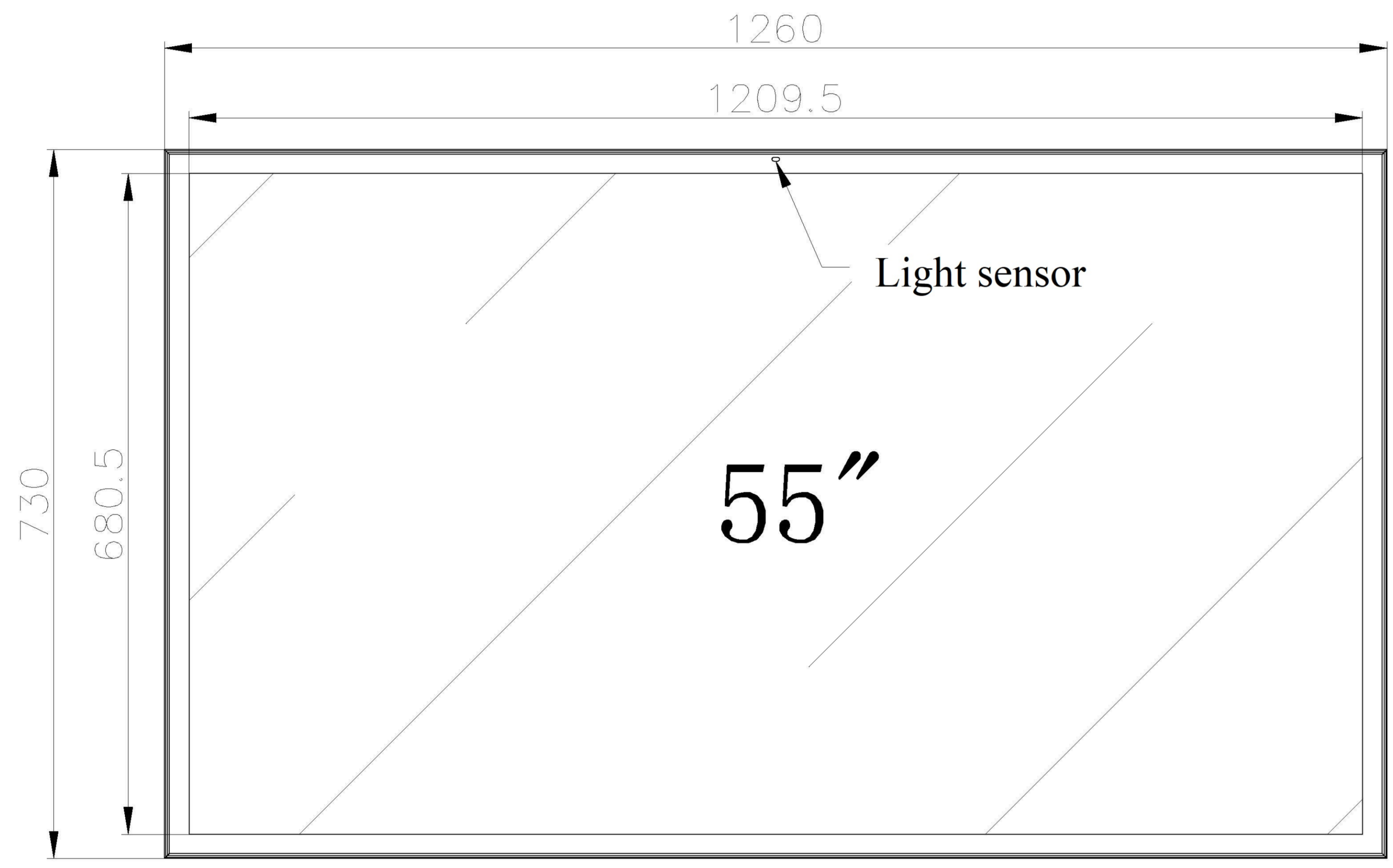
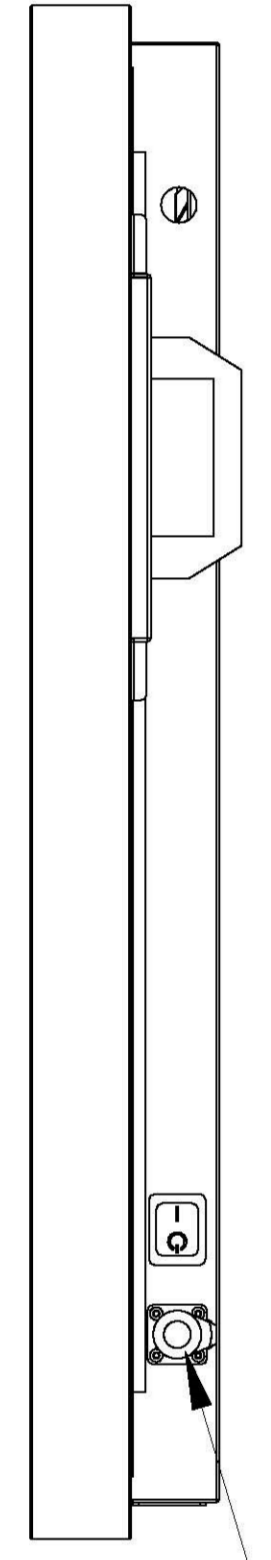


Keypads

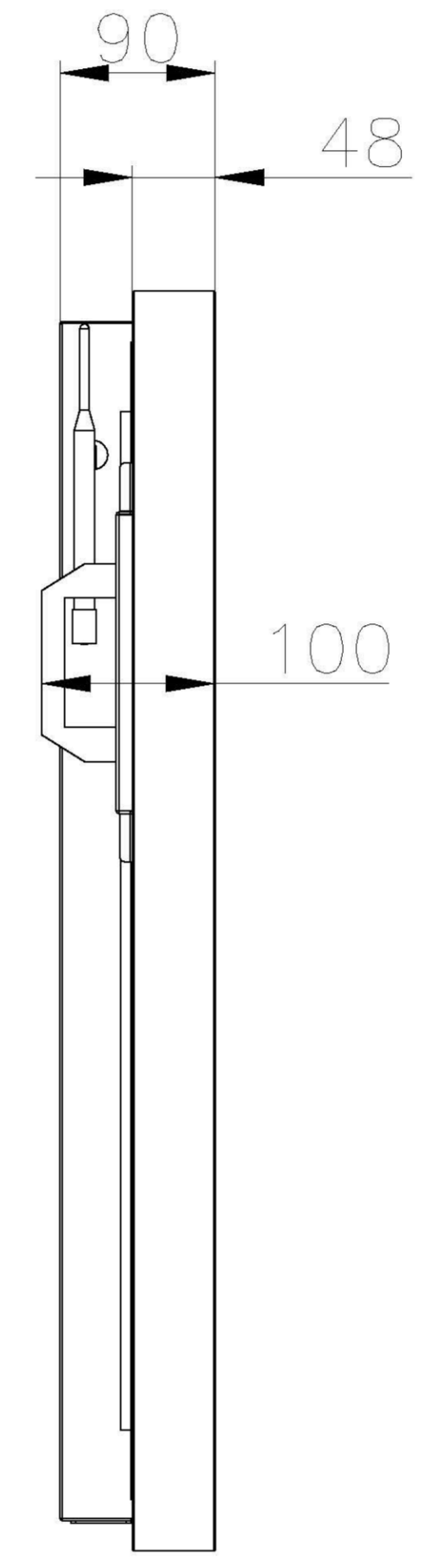


Light sensor

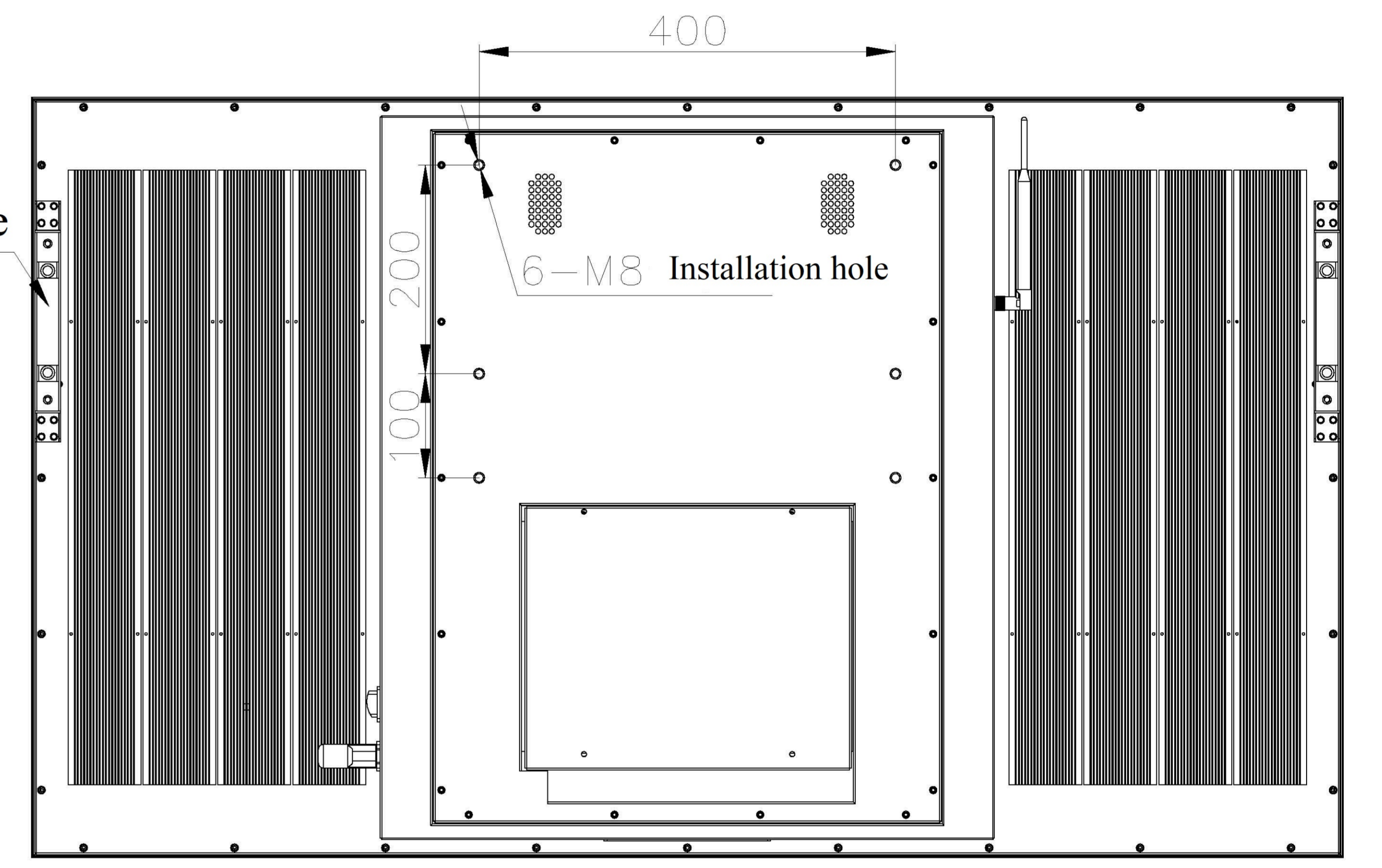
55"



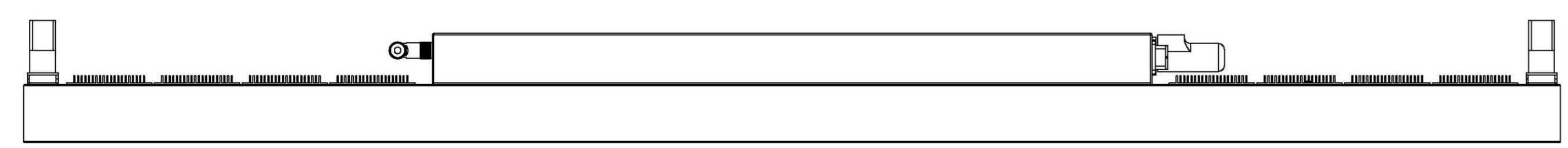
Power switch
Waterproof power charging



Handle

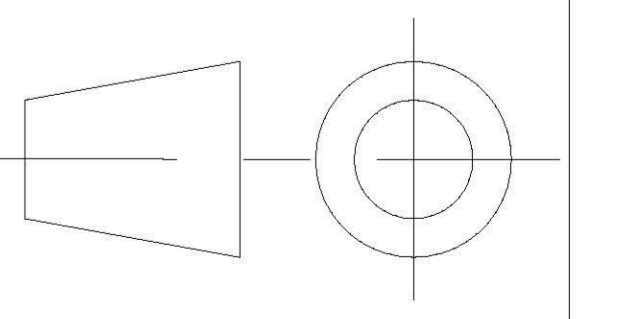


6-M8 Installation hole



XXX ±56	X.°± 0.050
XXX ±28	.X°± 0.010
XX ± .2	.XX°± 0.005
X ± .14	.XXX°± 0.002

2023.02.09



Q'TY	UNIT	SCALE	SHEET	REV.
-	MM	1:1	1/1	A